



**MITSUBISHI  
ELECTRIC**

MULTIMEDIA DATA/VIDEO PROJECTORS

*Changes for the Better*

**1500lm**  
**DLP**  
**2000:1**



**SE2U**

**MICRO MOBILE SVGA PROJECTOR**

***Take it with you.  
Set it up fast !!***

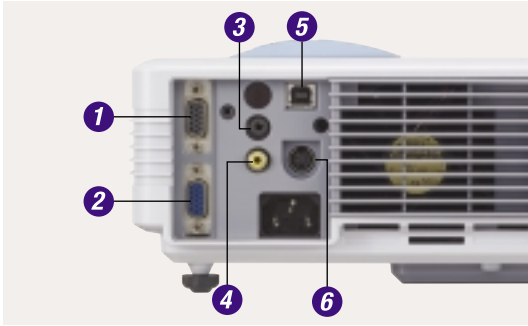


# SE2U

MICRO MOBILE SVGA PROJECTOR

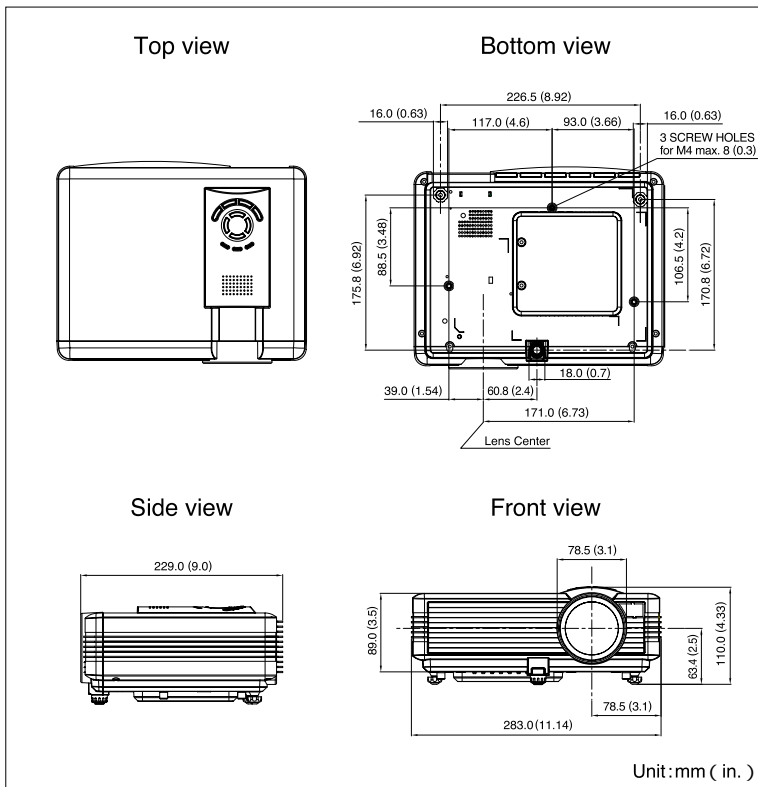


## Input and Output Terminals



- 1 PC Output
- 2 PC Input
- 3 Audio Input
- 4 Video Input
- 5 USB
- 6 S-Video Input

## Dimensions



## Specifications

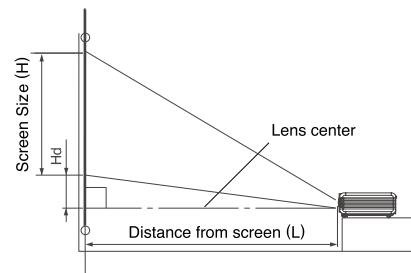
Model	SE2U
Display technology	1-chip DMD
Resolution	800 × 600 ( total 480,000 pixels ) video lines 500
Brightness( conform to JIS )	1500 lumens
Color	16,770,000 colors
Contrast ratio	2000:1 ( on/off )
Zoom/Focus	Manual Focus & Zoom Lens
Picture Size	40" ~ 180"
Source lamp	200W/2000Hrs ( normal mode )160W / 2500Hrs ( low mode )
Computer compatibility	SVGA( 640 × 400 ~ 1280 × 1024 )True:800 × 600, Sync on Green available
Video compatibility	NTSC/NTSC4.43/PAL ( Including PAL-M, PAL-N ) / SECAM / PAL60 / NTSC( 480i ) 480p / PAL( 576i ) 576p/ 720p,HDTV( 1080i )
Input terminals	D-sub 15pin × 1, Audio : 3.5mm stereo mini jack × 1 Video : RCA × 1 + S-Video × 1
Output terminal	D-sub 15pin × 1
Communication terminal	USB terminal for mouse port ( page up and down only )
Audio speaker	1W Mono
Fan noise	28dBA
Dimension( L × W × H )	220 × 283 × 89mm
Weight	2.9kg
Power supply	AC100V, 100W-240W, 50/60Hz

\*VGA and SXGA are registered trademarks of IBM Corporation. \*DLP Digital Light Processing is a trademark of Texas Instruments. \*All brand names and product names are trademarks, registered trade names of their respective holders.

Replacement Lamp : VLT-SE2LP

## Screen size and Projection distance

As seen from the side



Screen size chart( 4:3 aspect ratio )

Screen		Distance from screen (L)				High projected image (Hd)				
Diagonal size	Width(W)	Height(H)	Minimum Zoom	Maximum Zoom						
inch	cm	inch	cm	inch	m	inch	cm			
40	102	32	81	24	61	1.3	65	1.6	4.0	10.1
60	152	48	122	36	91	2.0	97	2.5	6.0	15.1
80	203	64	163	48	122	2.7	129	3.3	7.9	20.1
100	254	80	203	60	152	3.3	161	4.1	9.9	25.1
150	381	120	305	90	229	5.0	242	6.2	14.8	37.7
180	457	144	366	108	274	6.0	290	7.4	17.8	45.3

Screen size chart( 16:9 aspect ratio )

Screen		Distance from screen (L)				High projected image (Hd)				
Diagonal size	Width (W)	Height (H)	Minimum Zoom	Maximum Zoom						
inch	cm	inch	cm	inch	m	inch	cm			
40	102	35	89	20	50	1.5	71	1.8	7.6	19.2
60	152	52	133	29	75	2.2	106	2.7	11.3	28.8
80	203	70	177	39	100	2.9	141	3.6	15.1	38.4
100	254	87	221	49	125	3.7	177	4.5	18.9	47.9
150	381	131	332	74	187	5.5	265	6.7	28.3	71.9
180	457	157	398	88	224	6.6	315	8.1	34.0	86.3

The above numbers are approximate, and may be slightly different from the actual measurements.

**MITSUBISHI ELECTRIC CORPORATION**  
 HEAD OFFICE: MITSUBISHI DENKI BLDG., 2-2-3, MARUNOUCHI, CHIYODA-KU, TOKYO 100-8310, JAPAN

To find out more about SE2U and our projectors, visit us at  
[Global.MitsubishiElectric.com/projectors/](http://Global.MitsubishiElectric.com/projectors/)